

Subject: Deflector-angles at the C.G. release
Usage of connection ring pair meeting standard LN 65091

Affected: All glider manufactured by Glasflügel

Type H301 Libelle
Model: H 301 B
Standard Libelle
Standard Libelle 201 B
Standard Libelle 203
Standard Libelle 204

Type: Glasflügel 604

Type: BS 1

Type : Kestrel

Type : Club Libelle 205
Model : Hornet
Hornet-C

Type: Mosquito
Model : Mosquito B
Glasflügel 304
Falcon

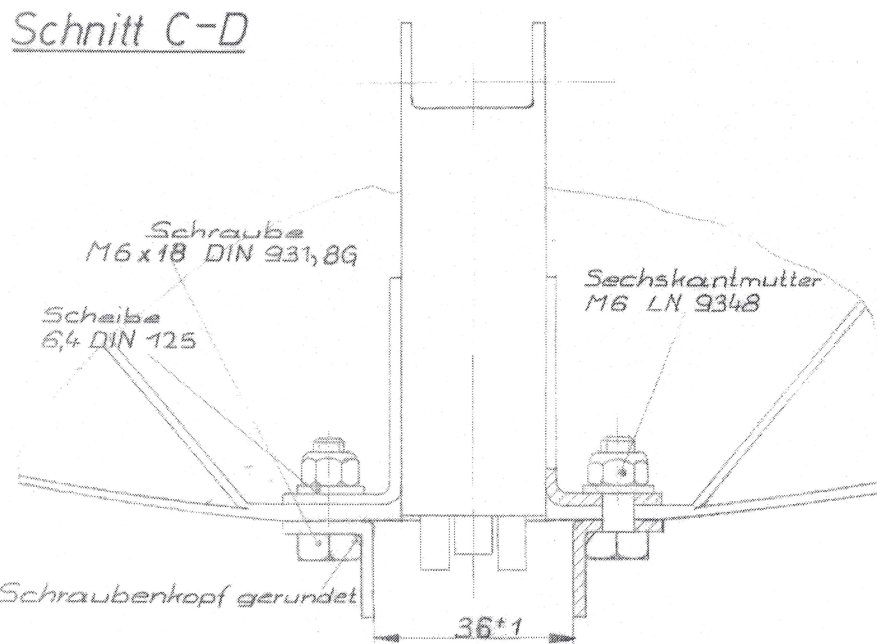
Urgency: Before the next winch launch.
Each annual inspection.

Reason: Jamming of the double-ring pair between the deflector-angles at the C.G. release.

Actions:

1. Verification of the distances and the parallelism of the deflector-angles by means of a caliper or gauge with 36 mm width as shown in the attached drawing
2. If the distance between the deflector-angles is less than 36 mm, remove the deflector-angles and file the holes till the distance is right.
Pull the deflector-angles with a distance-piece of 36 mm together and support them with filling material as resin with cotton flocks or polyester putty. Positioning it with the screws. After curing, screw the release and the deflector-angles as shown on the drawing.
Finally, a function test and release test must be done.

3. Insert the following Note into the flight- and maintenance-manual under winch tow: „Winch launching is permissible only with connecting ring pair according to LN 65091“



C.G. and mass: Differences negligible

Note: For action 1 and 3 accomplishment and issue CRS may be executed by pilot-owner within the scope of M.A. 801

For action 2 the CRS must be issued by a certifying staff according to M.A.801.

Grabenstetten, 25.06.2018

Issued:.....*J. Streifeneder*.....
Glasfaser-Flugzeug-Service
Hansjörg Streifeneder

The technical content of this
TN No. 5-2018 is EASA approved.

EASA No.: 0010055705
Date: 03.07.2018